

TECHNICAL DATA SHEET FOR Gas Fryer 400mm CF4



CF4

- 400mm wide
- Stainless steel finish
- Patented infrared burner system
- Stainless steel open pan
- 25mm drain valve
- 21 litre oil capacity
- Mechanical thermostat
- Manual pilot ignition
- Baskets and lid included
- Adjustable front feet and rear rollers

Overall Construction

Stainless steel open tank with deep cool zone
Stainless steel exterior front and sides
Double skin door with stainless steel outer
Dual high performance infra-red burner system
50mm dia. stainless steel adjustable legs to front and two rollers at rear
Two baskets and stainless steel lid supplied standard

Controls

110-190°C mechanical thermostat
Over-temperature safety cut-out
Manual ignition pilot burners with flame failure

Cleaning and Servicing

Open stainless steel pan for easy clean
Easy clean stainless steel exterior
25mm (1") drain valve for effective draining
Lift off basket hanger
Access to all parts from front of unit

TECHNICAL DATA SHEET FOR Gas Fryer 400mm CF4

Burners

2 x 42.5MJ/hr, 11kW infra-red burners

Gas power

85MJ/hr, 22kW

Pan size

Oil capacity 21L (37lbs shortening)

Width 315mm

Length 380mm

Oil frying depth 95mm

Gas connection

R³/₄ (BSP) male

200mm from RH side, 32mm from rear, and 124mm from floor

All units supplied with Natural and LP gas regulator

Dimensions

Width 400mm

Depth 800mm

Height 915mm

Incl. splashback 1085mm

Packing data

0.53m³

Width 865mm

Depth 490mm

Height 1255mm

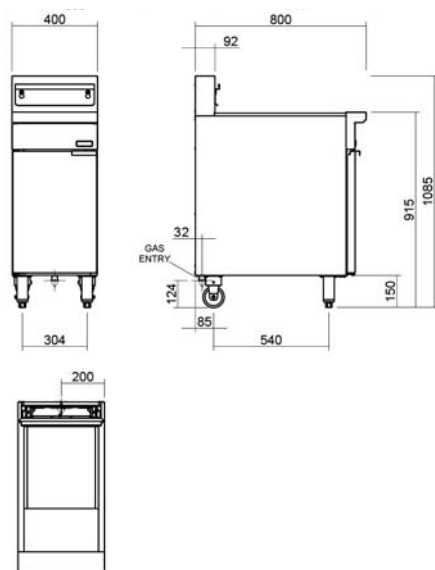
66kg nett weight

106kg packed weight

Gas types

Available in Natural gas and LP gas, please specify when ordering

Other gas types on request



CF4

MOFFAT®

www.moffat.com.au

Australia
Moffat Pty Limited

Victoria/Tasmania
740 Springvale Road
Mulgrave, Victoria 3170
Ph 03-9518 3888
Fax 03-9518 3833
vsales@moffat.com.au
www.moffat.com.au

New South Wales
Ph 02-8833 4111
nswsales@moffat.com.au

South Australia
Ph 03-9518 3888
vsales@moffat.com.au

Queensland
Ph 07-3630 8600
qldsales@moffat.com.au

Western Australia
Ph 08-9202 6820
bgarcia@moffat.com.au

New Zealand
Moffat Limited

Christchurch
16 Osborne Street
Christchurch 8011
Ph +64 3-389 1007
Fax +64 3-389 1276

Auckland
Ph +64 9-574 3150

export@moffat.co.nz
www.moffat.co.nz



ISO9001
Quality
Management
Standard

Designed and manufactured by



ISO9001

All Cobra products are designed and manufactured by Moffat using the internationally recognised ISO9001 quality management system, covering design, manufacture and final inspection, ensuring consistent high quality at all times.



Australian
Gas Association
Approved

In line with policy to continually develop and improve its products, Moffat Limited reserves the right to change specifications and design without notice.